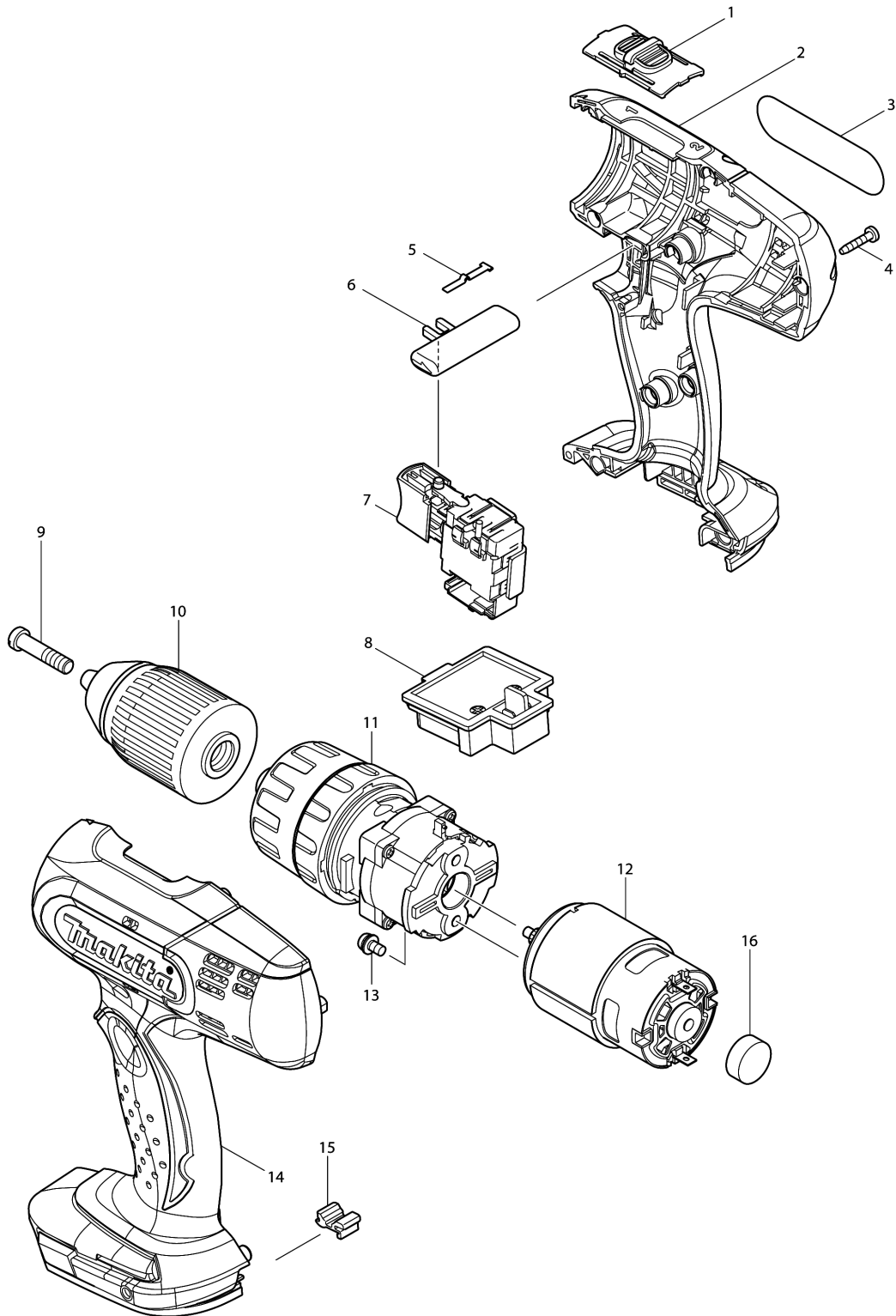


Model No.DHP453 CORDLESS PERCUSSN-DRIVER DRILL



Model No.DHP453 CORDLESS PERCUSSN-DRIVER DRILL

Položka	Objednávacie číslo	Popis	Zmena	ks	New/Old	Možnosť 1	Možnosť 2	Poznámka
001	125310-5	SPEED CHANGE LEVER ASS'Y		1				
C10	231433-0	COMPRESSION SPRING 4		2				
002	187363-2	HOUSING SET		1				
C10	263005-3	RUBBER PIN 6		2				
D10		INC. 14						
003	815J03-9	DHP453 NAME PLATE		1				
004	266130-9	TAPPING SCREW BIND PT 3X16		9				
005	232182-2	LEAF SPRING		1				
006	419250-0	F/R CHANGE LEVER		1				
007	632A23-2	SWITCH UNIT		1				
008	643852-2	TERMINAL		1				
009	251468-5	- FLAT HEAD SCREW M6X22		1				
010	766004-9	KEYLESS DRILL CHUCK 13		1				
011	125485-0	GEAR ASS'Y		1				
012	629937-8	DC MOTOR		1				
013	911108-4	PAN HEAD SCREW M4X8		2				
014	187363-2	HOUSING SET		1				
C10	263005-3	RUBBER PIN 6		2				
D10		INC. 2						
015	424476-1	CUSHION		1				
016	421940-3	CAP		1				
A01	784636-0	+/- BIT 2-65		1				
A02A	***DC18RC	DC18RC FAST CHARGER		1				
A02B	***DC18SD	DC18SD BATTERY CHARGER		1				
A02F	***DC18RC	DC18RC FAST CHARGER		1				
A02G	***DC18SD	DC18SD BATTERY CHARGER		1				
A02H	***DC18RC	DC18RC FAST CHARGER		1				
A02I	***DC18RC	DC18RC FAST CHARGER		1				
A02J	***DC18RC	DC18RC FAST CHARGER		1				
A02L	***DC18SD	DC18SD BATTERY CHARGER		1				
A02M	***DC18RC	DC18RC FAST CHARGER		1				
A03A	194204-5	BATTERY BL1830 SET		2	*			
A03B	194513-2	BATTERY BL1815 SET		2				
A03F	194513-2	BATTERY BL1815 SET		2				
A03G	196235-0	BATTERY BL1815N SET		2	*			
A03H	196460-3	BATTERY BL1820 SET		2	*			
A03I	196235-0	BATTERY BL1815N SET		2	*			
A03J	196399-0	BATTERY BL1840 SET		2	*			
A03-1A	194204-5	BATTERY BL1830 SET	O	2	*			
A03-1G	196235-0	BATTERY BL1815N SET	O	2				
A03-1H	197254-9	BATTERY BL1820B SET	<	2	*			
A03-1I	196235-0	BATTERY BL1815N SET	O	2				
A03-1J	197265-4	BATTERY BL1840B SET	<	2	*			
A03-2A	197600-6	BATTERY BL1830B SET	<	2	*			

Please order the parts with part number.

Print Date 4/5/2021

Model No.DHP453 CORDLESS PERCUSSN-DRIVER DRILL

Položka	Objednávacie číslo	Popis	Zmena	ks	New/Old	Možnosť 1	Možnosť 2	Poznámka
A03-2H	197254-9	BATTERY BL1820B SET	0	2				
A03-2J	197265-4	BATTERY BL1840B SET	0	2				
A03-2L	197600-6	BATTERY BL1830B SET		2	*			
A03-3A	197600-6	BATTERY BL1830B SET	0	2				
A03-3L	197600-6	BATTERY BL1830B SET	0	2				
A03-3M	197600-6	BATTERY BL1830B SET		1				
A04A	450128-8	BATTERY COVER		1				
A04B	450128-8	BATTERY COVER		1				
A04F	450128-8	BATTERY COVER		1				
A04G	450128-8	BATTERY COVER		1				
A04H	450128-8	BATTERY COVER		1				
A04I	450128-8	BATTERY COVER		1				
A04J	450128-8	BATTERY COVER		1				
A04L	450128-8	BATTERY COVER		1				
A04M	450128-8	BATTERY COVER		1				
A05A	158777-2	PLASTIC CARRYING CASE		1				
C10	163455-1	LATCH		2				
C20	419360-3	HANDLE		1				
A05B	194686-1	TOOL CHEST		1				
A05F	821550-0	CONNECTOR PLASTIC CASE (TYPE2)		1				
C10	453974-8	LATCH		4				
A05G	194686-1	TOOL CHEST		1				
A05H	158777-2	PLASTIC CARRYING CASE		1				
C10	163455-1	LATCH		2				
C20	419360-3	HANDLE		1				
A05I	821550-0	CONNECTOR PLASTIC CASE (TYPE2)		1				
C10	453974-8	LATCH		4				
A05J	158777-2	PLASTIC CARRYING CASE		1				
C10	163455-1	LATCH		2				
C20	419360-3	HANDLE		1				
A05L	158777-2	PLASTIC CARRYING CASE		1				
C10	163455-1	LATCH		2				
C20	419360-3	HANDLE		1				
A06F	837863-9	INNER TRAY		1				
A06I	837863-9	INNER TRAY		1				
A07F	803E29-3	DHP453RHJ INDICATION LABEL		1				
A07I	803E30-8	DHP453RYJ INDICATION LABEL		1				
A08F	803E33-2	DHP453RHJ PLASTIC CASE LABEL		2				
A08I	803E34-0	DHP453RYJ PLASTIC CASE LABEL		2				
E02	688165-4	LINE FILTER		1				

Please order the parts with part number.

Print Date 4/5/2021